
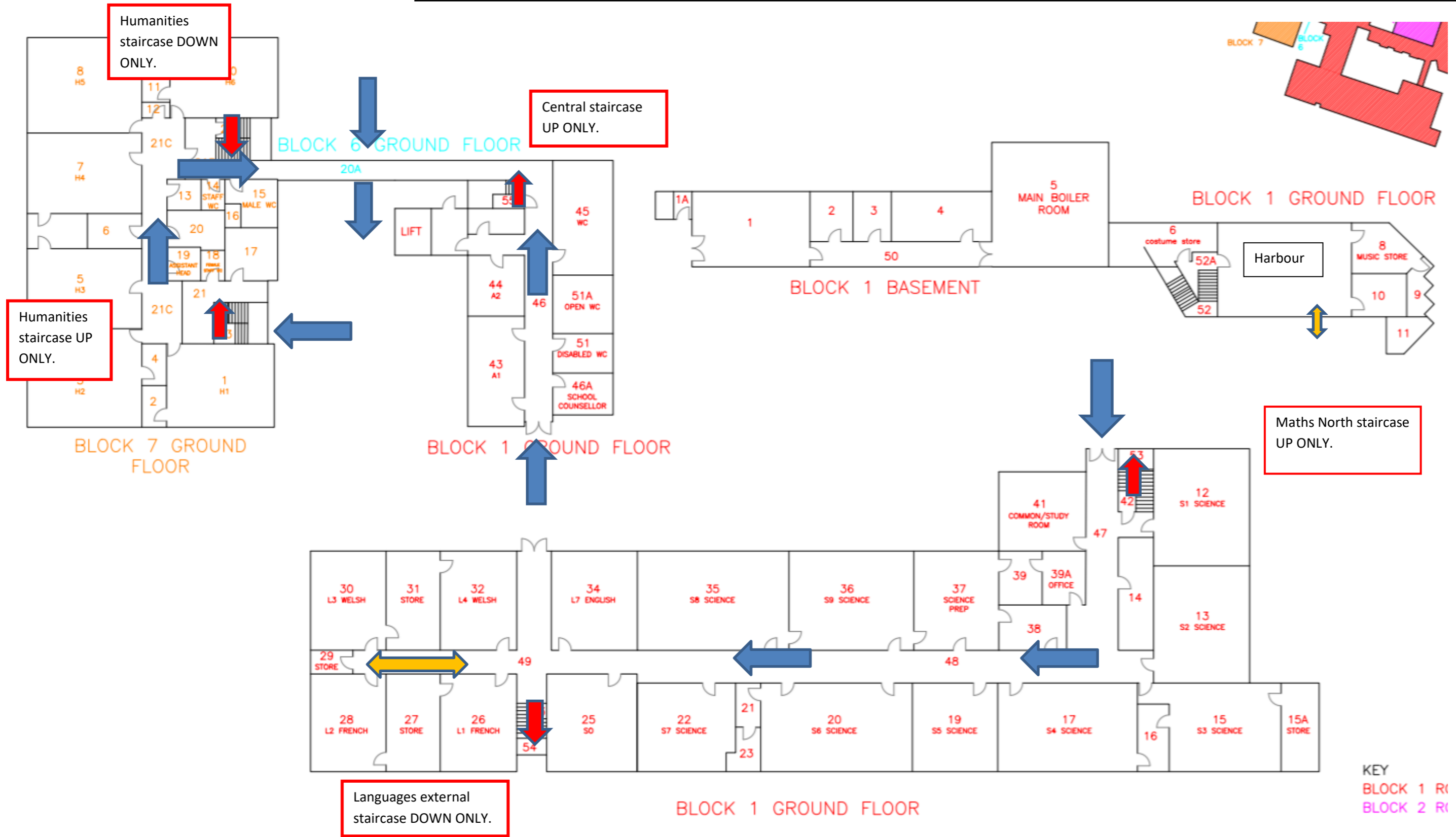
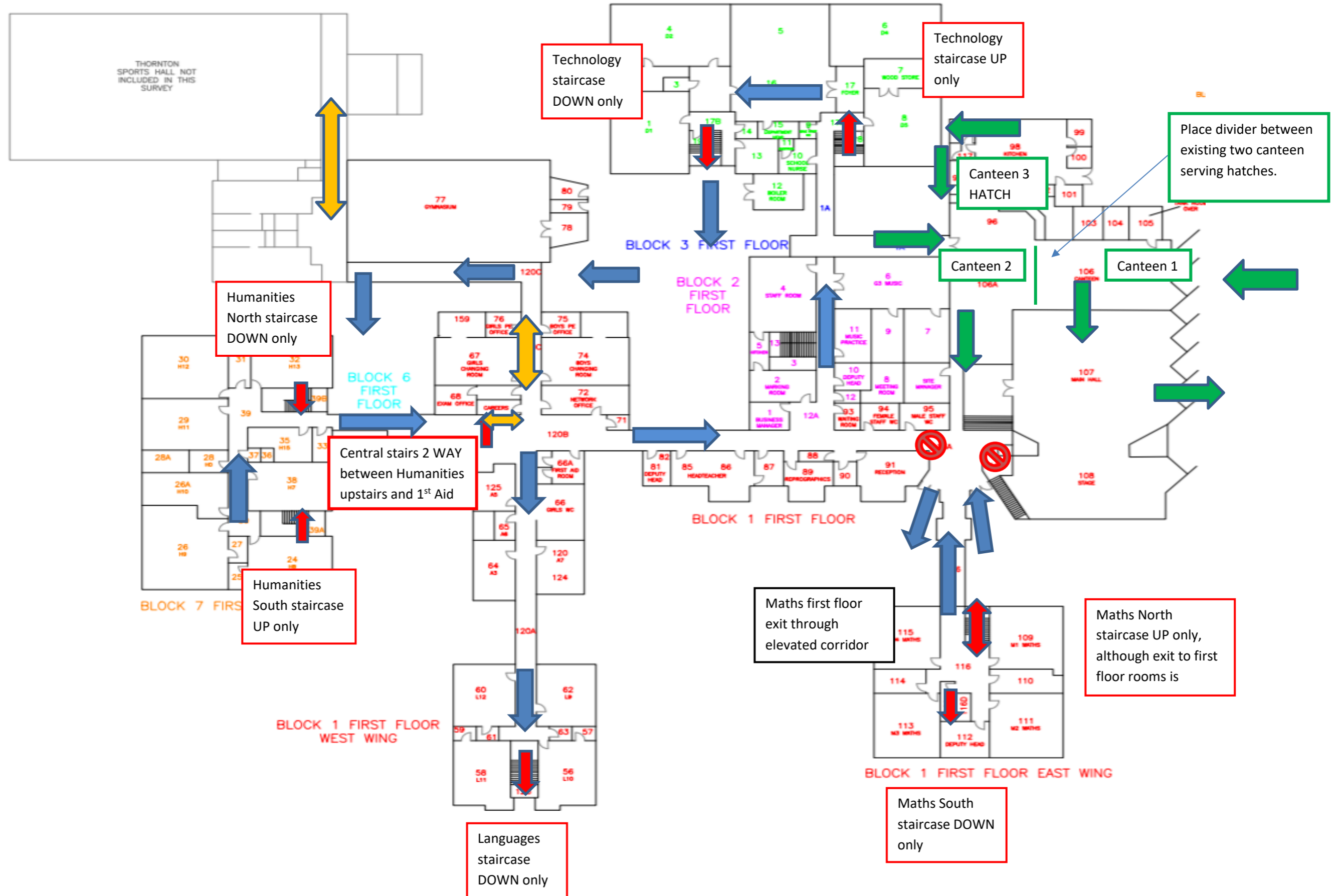


Ground Floor – One Way System (V5)

Blue arrows – general corridors; Red arrows – staircases; Amber arrows – 2 way traffic; Green arrows – split canteen;  - no entry.



First Floor – One Way System



Third Floor – One Way System

